

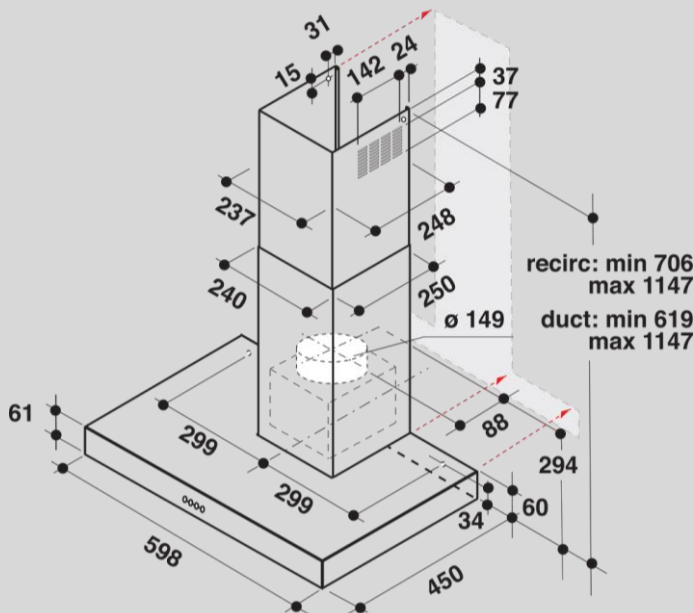
Whirlpool wall mounted cooker hood - AKR 558/3 IX (329726)

Whirlpool wall mounted Cooker Hood features: dishwasher-safe, washable aluminium grease filters. LED lights for ideal lighting. An outstanding cooker extractor fan, ensuring a fresh, grease-free cooking environment. Less than 60cm wide appliance. New design ensuring extra silent performance.

Flexible Installation

Flexible installation options

This Whirlpool Hood can be operated in either Ducted or Recirculated mode (filter needed), so you can enjoy complete freedom when designing your kitchen.



Analogue controls

Effortless control

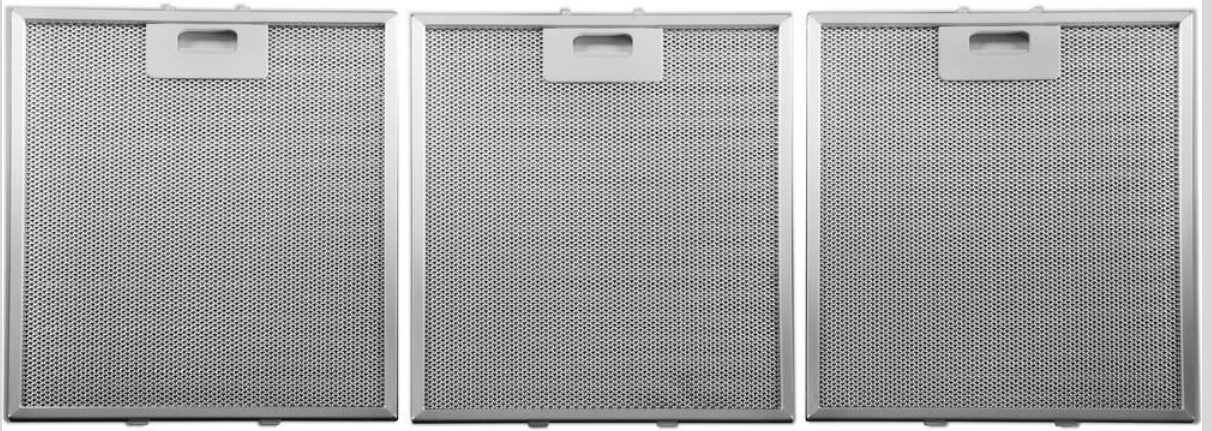
This Whirlpool Hood includes an analogue control interface designed for simplicity and ease-of-use.



3 Speeds

Versatile performance

This Whirlpool Hood offers 3 speed options, giving you complete control over the extraction rate.



Wall-mounted installation

This wall-mounted Whirlpool Hood is a breeze to install.

