

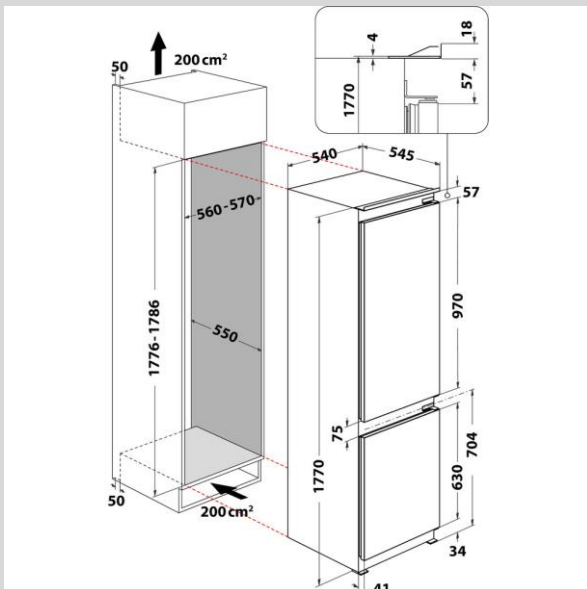
Whirlpool built-in fridge freezer - ART 6510/A+ SF (329781)

This Whirlpool built in Fridge Freezer features: inox colour. Inox design. Glass shelves with profile fronts, providing robustness, elegance and extra safety. A fan that provides a smooth and even flow of air in your appliance's cavity, for enhanced ventilation. Convenient bottle balcony to safely store your bottles.



Reversible Door

Reversible door hinges for added versatility to fit with your kitchen layout - choose to open to the left or the right.



StopFrost

The StopFrost device collects frost and defrosting takes just 1 minute by cleaning the device under a tap



A+ Energy Rating

A+ energy rated appliances are among the most energy efficient cooling appliances on the market, using 25% less energy than A class appliances and up to 45% less than B rated appliances, meaning lower running costs and energy bills for you.

